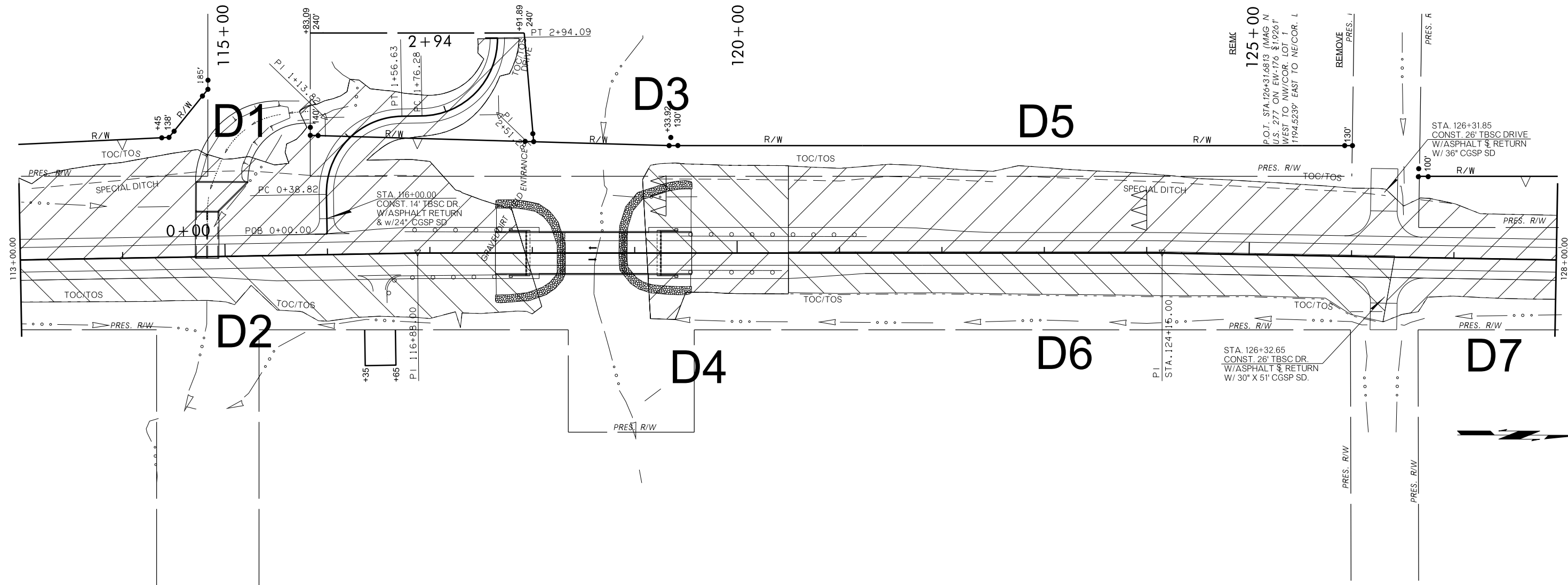


7/17/2017 p:\lapp-pws01-345-agency.OK\locat\ODOT\Projects\Documents\Projects\Division 7\JP27968-04\Roadway\Plan Sheets\03-27968(04)-EROSION CONTROL DETAIL SHEET



LEGEND	
SILT DIKES	▲▲▲▲
SILT FENCE	XXXXXX

DESIGN		OKLAHOMA DEPARTMENT OF TRANSPORTATION ROADWAY DESIGN DIVISION  <b>EROSION CONTROL          DETAIL</b>
DRAWN		
CHECKED		
APPROVED		
SQUAD	GREEN	
COUNTY		COMANCHE
HIGHWAY		US-277
STATE JOB NO.		27968(04)
SHEET NO.		R003